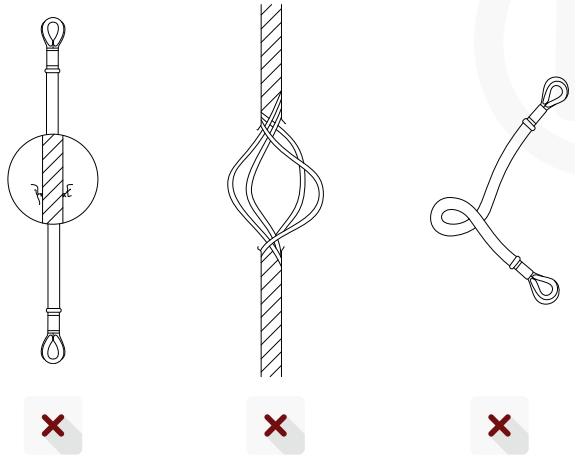
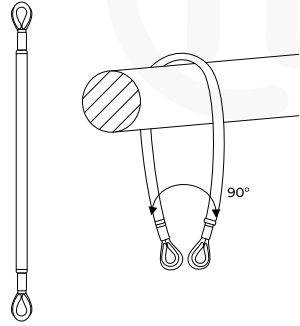


- A at height uk
- B CE 2849
UKCA 0194
- C EN795:2012 Type B
PD CEN/TS 16415:2013
- D
- E WASGxxx
WASSxxx
- F XXYZZZZZ
- G 25kN



Product Inspection Record Card Example

Date	OK? (If no, report defects here)	Name & Signature	Date of Next Examination
Product Type and Identification Number	Year of Manufacture	Year of Purchase	Date of First Use



Product Code
WASxxxx/EZYID = EZYID Enabled

Product Details
These instructions cover the use of At Height Ltd Wire Anchor Slings, conforming to CE EN795:2012 Type B for the use of one person only and PD CEN/TS 16415:2013 Type B for two persons use during a rescue. This equipment may be used in conjunction with any appropriate item of Personal Protective Equipment (PPE) relevant to European Union Directive 2016/425. They may be acceptable for use in other applications, if in doubt please consult At Height Ltd.

- Available Variants**
- A WASG050S/WASG050T = 0.5m
 - B WASG100S/WASG100T = 1m
 - C WASG150S/WASG150T = 1.5m
 - D WASG200S/WASG200T = 2m
 - E WASG300S/WASG300T = 3m
 - F WASG400S/WASG400T = 4m
 - G WASS100T = 1m
 - H WASS150T = 1.5m
 - I WASS200T = 2m

- Markings/Labelings:**
- A Manufacturers Identification, 4/c Underbank Old Road, Holmfirth, HD91AS, UK
 - B CE 2849 - CE mark with Notified Body number (Inspection International BV)
 - C EN795:2012 Type B - Protection against falls from height - portable anchor devices
 - D Read and follow instructions supplied by the manufacturer
 - E Product Code - WASGxxx/WASSxxx where WASG - Wire Anchor Sling Galvanised; WASS - Wire Anchor Sling Stainless and xxx = the length of the sling in cm
 - F Unique number - XXYZZZZZ, where XX= year of manufacture; YY= batch number; ZZZZZ = serial number
 - G 25kN - Minimum Breaking Strength

WARNING!
Working at height and related activities are inherently dangerous. It is the responsibility of any person using this equipment to learn, understand and practice the proper techniques for use of the equipment for its designated purposes. It is impossible for this document to cover every eventuality and incorrect use of this equipment may result in fatal consequences. This equipment should only be used by a competent person or a person specifically trained in its use. This equipment should not be used by persons with medical conditions that may affect the safety of the user. You are responsible for your own actions and any person using this equipment assumes all risks and full responsibility for all damages or injury which may result from the use of it. When the anchor device is used as part of a fall arrest system the user shall be equipped with a means of limiting the maximum dynamic forces exerted on the user during the arrest of a fall to a maximum of 6kN. It is impossible in this booklet to cover all methods of use. The following instructions and pictograms show some of the common correct and incorrect methods of use; it is impossible to predict them all. There is no substitute for instruction by a trained and competent person. Dangers may arise by the use of combinations of items of equipment in which the safe function of any one item is affected by or interferes with the safe function of another. A full body harness is the only acceptable body holding device that can be used in a fall arrest system. It is essential for safety that the anchor device point should always be positioned above the position of the user and the work carried out in such a way to minimise both the potential for falls and the potential fall distance.

It is essential for safety to verify the free space required beneath the user at the work place before each occasion of use so that, in the case of a fall, there will be no collision with the ground or other obstacle in the fall path

It is essential that a risk assessment is carried out prior to any use and a rescue plan shall be in place to deal with any emergencies that could arise during the work.

If this product is resold outside the original country of destination the reseller should provide these instructions for use in the language of the country in which the product is sold.

General Use
This product is a temporary portable anchor designed to be used as part of a fall arrest system for work at height purposes. Please note it is a piece of PPE and not designed for lifting purposes/equipment.

Only connect to the eyes of the sling and always use an EN362 approved connector. Do not use more than one connector in each eye. Beware of creating a sharp angle in the wire as this may cause damage and ideally make sure that the where the ends of the sling meet is less than 90 degrees. The ultimate strength of the sling may be reduced by choke hitching around an anchor point.

Any force will be transmitted directly to the structure in the direction in which it is applied, the suitability of the structure as an anchor should be verified by a competent person. The protective tubing is included to reduce wear/damage to the wire cable and therefore can suffer damage which is not-critical. Thorough inspection will allow the competent person to determine if the sling is still safe to use.

Inspection
The whole sling should be checked pre-use by visual inspection to ensure it is fit for use. There should also be regular visual inspections 'by a competent person' in line with the PPE Regs or more frequently if local regulations require it or it is used intensively.

Visual inspections should note in particular the legibility of the markings and the condition of the wire cable, the ferrules and the eyes. There should be no broken strands in the wire, the ferrules should not be damaged and should not move and there should be no deformation of the eyes or thimbles. All thorough examinations should be recorded on an equipment record card.

It is essential for safety that the equipment be withdrawn from use immediately should 1. any doubt arise about its condition for safe use or 2. it has been used to arrest a fall and not used again until confirmed in writing by a competent person that it is safe to do so.

Maintenance, Cleaning and Storage
The materials used are either galvanised wire with aluminium ferrules and stainless steel thimbles or stainless steel wire with copper ferrules and stainless steel thimbles.

The protective tubing is made from heavy duty PVC. The anchor sling should be cleaned regularly with clean water and/or a mild detergent. Dry away from heat in a well-ventilated area. Store in a clean dry environment free from chemicals, corrosive substances, UV and high humidity. Care should be taken to protect the product against damage during transit.

It is recommended that the anchor sling should be marked with the date of the next (or last) inspection. The lifetime of this product is potentially indefinite depending on manner of use and storage.

No alterations should be made to this product.

EZYID Compatibility
The WAS range includes a depression or 'pocket' in the ferrules. This is done to allow an EZYID tag to be glued in place. The WAS can be 'factory fitted' or retro-fitted.

At Height Ltd (www.atheightuk.com) declares that the product:
Wire Anchor Sling with prefix WASG and WASS is in conformity with the provisions of Module B of the Regulation EU 2016/425 PPE and the following applicable Standards

EN795:2012 and EN365:2004

The PPE is the subject of EU certification No 2777/14770-01/E01-01 dated 27/08/2020 issued by

SATRA Technology Europe Ltd, (Notified Body No: 2777) Bracetown Business Park, Clonee, Co. Meath D15 YNZP Ireland

and is subject to the procedure of ongoing control set out in Module D of Regulation EU 2016/425 PPE under the supervision of the Notified Body INSPEC INTERNATIONAL B.V.; (Notified Body No: 2849) Beechavenue 54-62, 1119 PV, Schiphol-Rijk, Netherlands

The following Approved Body performed the UKCA type examination certificate and issued the UKCA type examination certificate

No: AB0321/20204-01/E01-01 - date of issue 27/10/2022 issued by

SATRA Technology Centre Ltd (Approved Body No: 0321) Wyndham Way, Telford Way, Kettering Northamptonshire NN16 8SD UK

At Height declares that the products described above conform to PPE Regulation 2016/425 as amended to apply in GB for UKCA and is subject to Module D supervision by:

INSPEC INTERNATIONAL LTD.; (Approved Body No: 0194) 56 Leslie Hough Way, Salford, Greater Manchester, M6 6AJ, United Kingdom

Relevant declarations of conformity can be found in the product pages at www.atheightuk.com

at height uk
www.atheightuk.com
info@atheightuk.com

Wire Anchor Slings
WASS/WASG

Manufactured & Supplied by
www.atheightuk.com